

*"Complete mixing package when paired with flow meter & analyzer"*



## MICROMAX OVERVIEW

The **MicroMax** features delivery of accurate  $\text{FiO}_2$  mixtures from two outlet ports and has an overall flow range of 15-120 LPM (High Flow) and 3-30 LPM (Low Flow). Clinicians have the option to turn the bleed control to ON or OFF which provides a more quiet operation for NICU and PICU settings. When equipped with the Maxtec **BlenderBuddy 2**, the **MicroMax** provides users with a mixing package complete with a blender, 2 flow meters and an oxygen analyzer (*sold separately*).

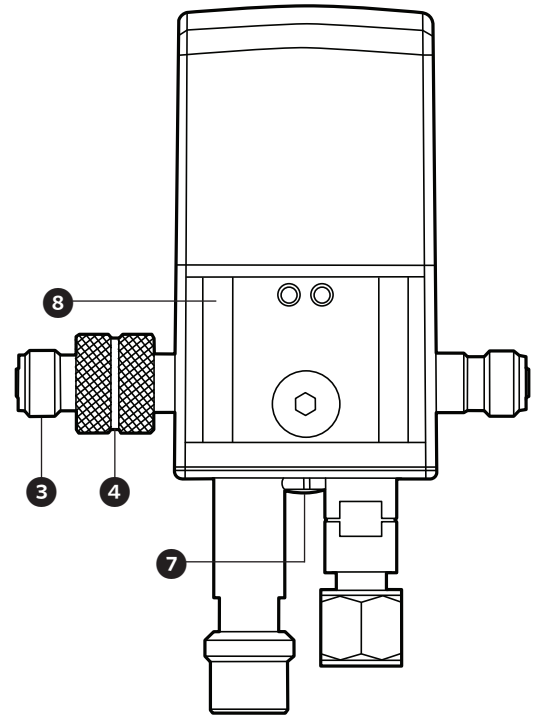
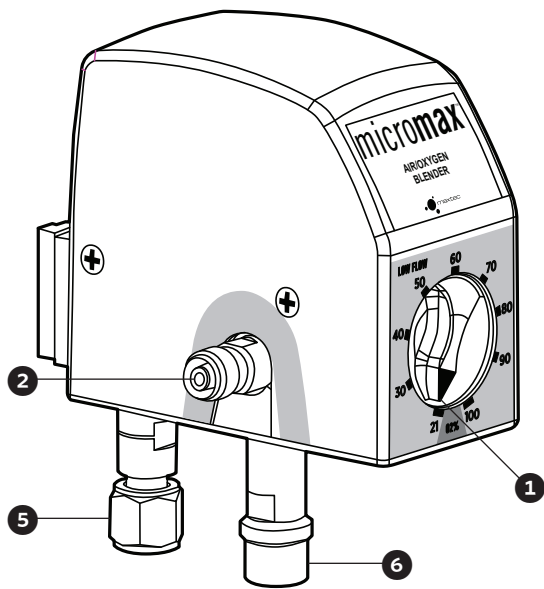
## PART NUMBERS

### DISS FITTINGS:

Low Flow [DISS] Fittings . . . . . R203P13  
High Flow [DISS] Fittings . . . . . R203P14

### NIST FITTINGS:

Low Flow [NIST] Fittings . . . . R203P13-001  
High Flow [NIST] Fittings . . . . R203P14 -001



**1. Oxygen Concentration Dial**  
*For selecting oxygen concentrations*

**2. Primary Outlet Port**  
*Male DISS fitting with check valve*

**3. Auxiliary Outlet Port**  
*Male DISS fitting with bleed valve*

**4. Auxiliary Bleed Collar**  
*Engage and disengage the bleed*

**5. Oxygen Inlet Fitting**  
*Female DISS fitting with one way valve*

**6. Air Inlet Fitting**  
*Male DISS fitting with one way valve*

**7. Alarm**  
*Safe and reliable*

**8. Rear Slide Mount**  
*With dove tail*

## Specifications

Dimensions	4.92" (D) x 2.25" (W) x 4.10" (H)
Weight	2.9lbs (1.3 kg)
Operating Temperature	59°F to 104°F (15°C to 40°C)
FiO2 Accuracy	±3% of full scale
Bypass Alarm Activation	High Flow: 13-25 psi, Low Flow: 18-22 psi
Primary Outlet Flow Range	15-120 lpm (High Flow) Low Flow: 3-30 lpm (Low Flow)
Auxillary Outlet Flow Range	2-100 lpm (High Flow) 0-30 lpm (Low Flow)
Bleed Flow (at 50 psi)	13 lpm or less (High Flow), 3 lpm or less (Low Flow)
Maximum Combined Flow	≥120 lpm (High Flow) ≥30 lpm (Low Flow)
No. of Primary Outlet Ports	1
No. of Auxillary Ports	1

ML# 238 REV. E



1846 5th Concession W., P.O. Box 7, Rockton, Ontario LOR 1X0  
Tel.: (519) 622-4030 • Toll Free: 1-800-996-6674 • Fax: (519) 622 - 1142  
Email: [mmsi@mcarthurmedical.com](mailto:mmsi@mcarthurmedical.com) • Web: [mcarthurmedical.com](http://mcarthurmedical.com)